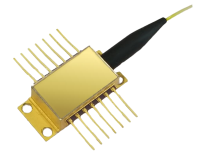


0202 1480 nm Pump Laser Diode

PL-1456-PM-280



1456 nm Pump Laser Diode, 280 mW, PM Fiber

The pump has been designed for use in a wide variety of optical amplifiers, such as EDFA and Raman amplifiers used in optical transmission systems, especially in dense wavelength division multiplexing (DWDM) systems. A strained multi-quantum well (st-MQW) laser diode chip is integrated with thermo-electric cooler (TEC) and PIN photodiode in a hermetically sealed 14-pin butterfly package.

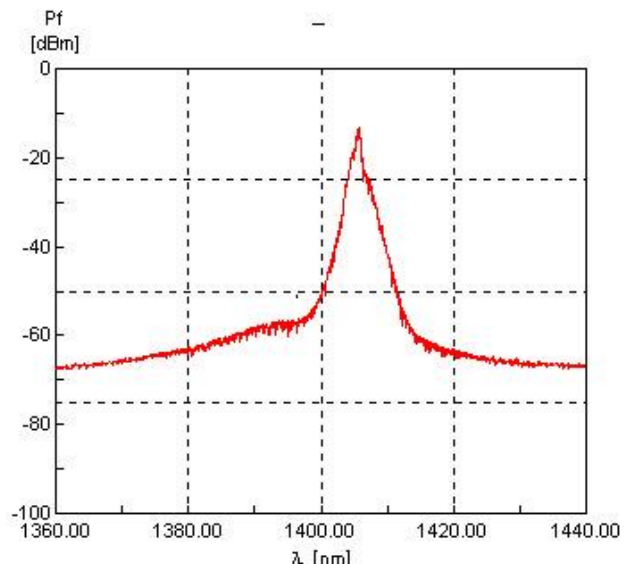
FEATURES

- Rated Output Power Up to 280 mW(CW)
- Polarization Maintaining Fiber Pigtail
- 14-pin Butterfly Footprint
- Integrated PIN Photodiode for Back Facet Monitor

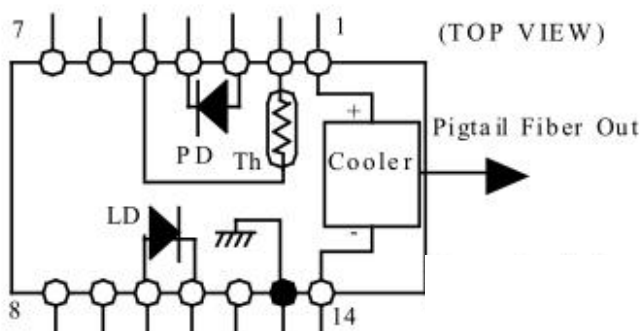
USE IN

- Pump Source for Er-Doped Fiber Amplifier
- C- and/or L-band EDFA
- Single Channel Amp. to DWDM Amp.
- Pump Source for Raman Amplifier

SPECTRUM



FUNCTIONAL DIAGRAM



Pin	Description
1	Cooler (+)
2	Thermistor
3	PD Anode (-)
4	PD Cathode (+)
5	Thermistor
6	Not Connected
7	Not Connected

Pin	Description
8	Not Connected
9	Not Connected
10	LD Anode (+)
11	LD Cathode (-)
12	Not Connected
13	Case GND
14	Cooler (-)

Order notes to our customers: The default parameters are as follows. For special needs, please contact sales.

1) Connector FC/APC, 900 um, 1 m by default for all devices except for high power devices.

2) Slow axis working, fast axis blocked, connector key is aligned to slow axis by default for PM devices.

0202 1480 nm Pump Laser Diode

PL-1456-PM-280

Storage Temperature	-40°C to 85°C
Operation Temperature	0 to 70°C
LD Forward Current	1000 mA max.
LD Reverse Voltage	2 V max.
PD Forward Current	5 mA max.
PD Reverse Voltage	20 V max.
TEC Current	2 A max.
TEC Voltage	4.5 V max.
Center Wavelength	1400 nm to 1500 nm (± 2 nm)
Spectral Width	8 nm max.
LD Operating Forward Voltage	2.3 V max.
LD Forward Current at EOL	1.2xI _{fBOL} mA max.
Monitor Current	50 μ A min.; 1000 μ A max.
Monitor Dark Current	100 nA max.
Extinction Ratio	13 dB min.
Thermistor Resistance	9.5 k Ω min.; 10 k Ω typ.; 10.5 k Ω max.
Thermistor B Constant	3900 K typ.

Order notes to our customers: The default parameters are as follows. For special needs, please contact sales.

1) Connector FC/APC, 900 μ m, 1 m by default for all devices except for high power devices.

2) Slow axis working, fast axis blocked, connector key is aligned to slow axis by default for PM devices.