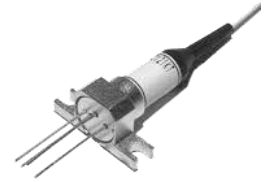


# 1202 Photoreceiver

PR-3



## InGaAs PIN Photoreceiver, 3 GHz

### FEATURES

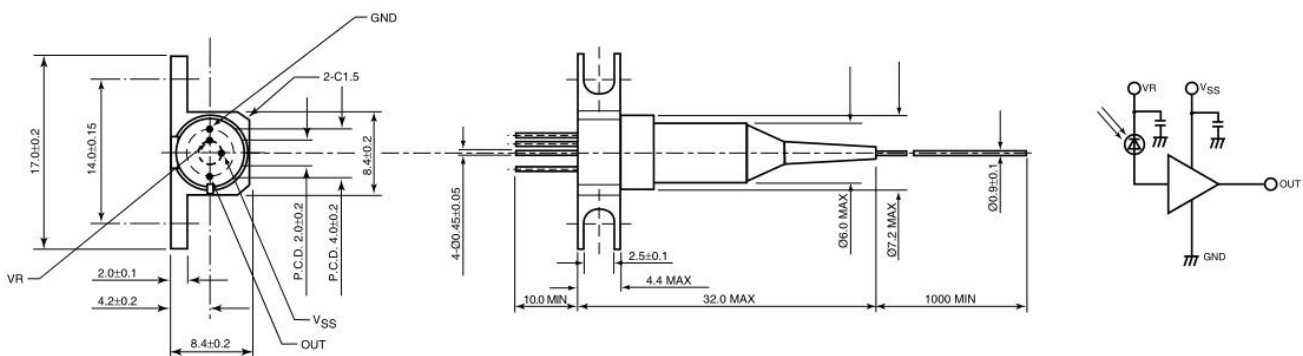
- 3 GHz Bandwidth
- InGaAs PIN Pre Amplifier
- High Responsivity: 0.85 A/W @1550 nm

### USE IN

- Optical Transmission Systems
- Optical Communication

Responsivity	0.85 A/W min. @ 1310 nm; 0.85 A/W min. @ 1550 nm
Sensitivity	-23 dBm typ.
Bandwidth	3 GHz typ.
AC Transimpedance	600 Ω
Equivalent Input Noise Current Density	7 pA/Sqrt (Hz) typ.
Sensitivity	-23 dBm typ.
Max. Overload	-3 dBm min.
Reverse Voltage	15 V typ.
Power Supply Current	35 mA typ.
Power Supply Voltage	-5.0 V typ.

### MECHANICAL DRAWING



**Order notes to our customers:** The default parameters are as follows. For special needs, please contact sales.  
**1) Connector FC/APC, 900 um, 1 m by default for all devices except for high power devices.**  
**2) Slow axis working, fast axis blocked, connector key is aligned to slow axis by default for PM devices.**