

0401 780 nm Devices

R4200-P



785 nm PM Optical Circulator

The PM optical circulator has very low insertion loss, high return loss, high isolation and high stability & reliability. It can be used for fiber laser, testing instrument and medical equipment.

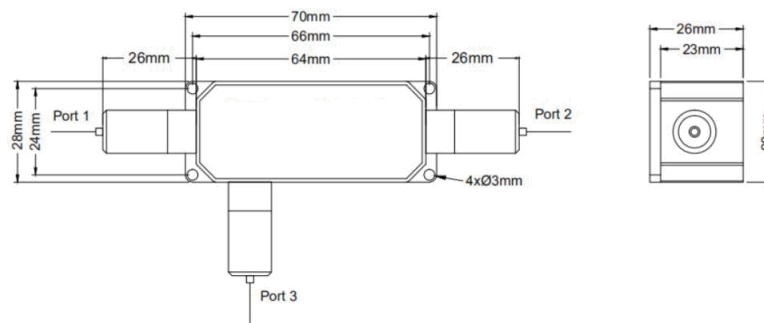
FEATURES

- Low Insertion Loss
- High Return Loss
- High Stability & Reliability

USE IN

- Fiber Laser
- Testing Instrument
- Medical Equipment

MECHANICAL DRAWING



Center Wavelength	785 nm
Operating Wavelength Range	±5 nm
Isolation	23 dB typ. @Peak, 20 dB min.
Insertion Loss	1.2 dB typ.; 1.5 dB max.
Extinction Ratio	18 dB min.
Return Loss (In/Out)	45 dB min.
Cross Talk	45 dB min.
Power Handling (Including Port 1 & Port 2)	1 W, 2 W, 5 W, 10 W, 20 W or Specified
Peak Power for ns Pulse	10 kW max. or Specified
Tensile Load	5 N max.
Dimension	70x28x26 mm
Operating Temperature	+10°C to +50°C
Storage Temperature	0°C to +60°C

Order notes to our customers: The default parameters are as follows. For special needs, please contact sales.

1) Connector FC/APC, 900 um, 1 m by default for all devices except for high power devices.

2) Slow axis working, fast axis blocked, connector key is aligned to slow axis by default for PM devices.