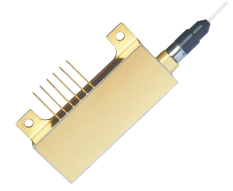


# 0704 Wavelocker

WL1XXX



## Wavelength Locker w/Temperature Sensor

The wavelength locker enables the wavelength of DWDM transmitters to be monitored and stabilized. This unique single filter differential method is utilized to achieve the highest wavelength accuracy and reliability of any commercial wavelength locking device. The wavelength locker has become the industry standard and is indispensable in 50 GHz and 100 GHz DWDM systems.

### FEATURES

- High Stability and Reliability
- Temperature Insensitive
- Wavelength Accuracy <  $\pm 0.01$  nm
- Qualified to Telcordia GR-468

### USE IN

- LD Wavelength Locking
- Wavelength Management
- Wavelength Monitoring
- Light Source Stabilization

Center Wavelength	Selection Guide
Capture Range	$\pm 0.25$ nm
Long Term Stability(A)	$\pm 0.005$ nm max.
Polarization Dependence(B)	$\pm 0.005$ nm max.
Overall Wavelength Accuracy (A)+(B)	$\pm 0.01$ nm max.
Power Handling	5 dBm max.
Conversion Gain (at $\lambda_s$ )	0.2 A/W min.
Photo Current Ratio	0.4 min.; 2.0 max.
PD Dark Current	15 nA max.
Temperature Sensor	Built-in
Operating Temperature	0°C to +70°C
Storage Temperature	-40°C to +80°C
Humidity	90% max.
Reliability	Telcordia GR-000468 Qualified, 100 Fits max.; at 25 years
Dimension	40x21x8 mm

**Order notes to our customers:** The default parameters are as follows. For special needs, please contact sales.

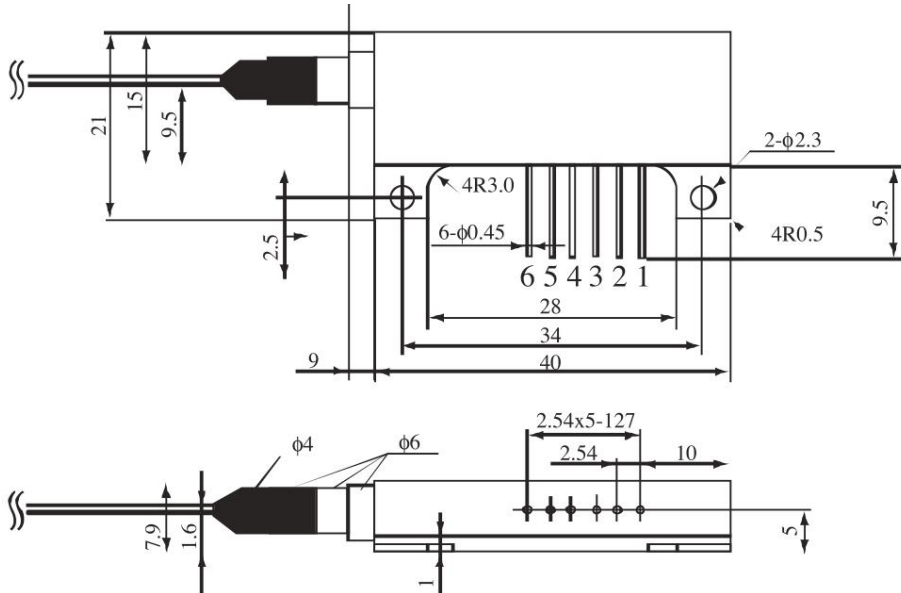
**1) Connector FC/APC, 900 um, 1 m by default for all devices except for high power devices.**

**2) Slow axis working, fast axis blocked, connector key is aligned to slow axis by default for PM devices.**

# 0704 Wavelocker

WL1XXX

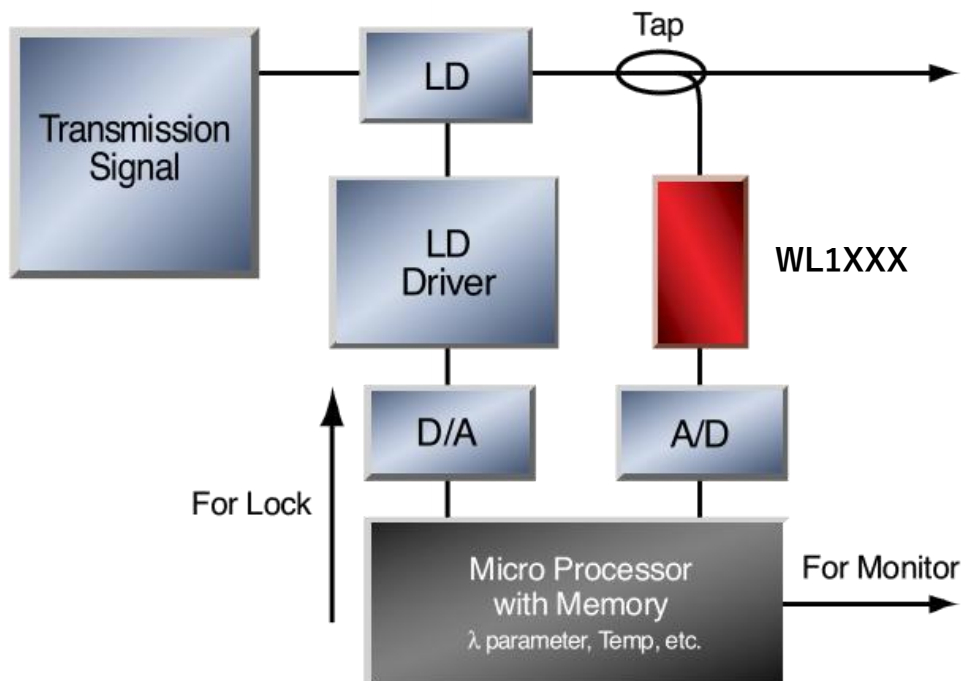
## MECHANICAL DRAWING



## Electrical Pin Assign

1. PD1 Anode(+)
2. PD2 Anode(+)
3. Common Cathode(+)
4. Temp. Sensor +Vs
5. Temp. Sensor +Vout
6. Temp. Sensor GND

## Typical Configuration



**Order notes to our customers:** The default parameters are as follows. For special needs, please contact sales.  
**1) Connector FC/APC, 900 um, 1 m by default for all devices except for high power devices.**  
**2) Slow axis working, fast axis blocked, connector key is aligned to slow axis by default for PM devices.**

# 0704 Wavelocker

WL1XXX

## Selection Guide

Part NO.	Wavelength	Part NO.	Wavelength
1530.33	WL1000	1538.581	WL1019
1531.116	WL1001	1538.976	WL1020
1531.898	WL1002	1539.371	WL1021
1532.29	WL1003	1539.766	WL1022
1532.681	WL1004	1540.162	WL1023
1533.073	WL1005	1540.557	WL1024
1533.465	WL1006	1540.953	WL1025
1533.858	WL1007	1541.349	WL1026
1533.857	WL1008	1542.142	WL1027
1534.250	WL1009	1542.539	WL1028
1534.643	WL1076	1542.936	WL1029
1535.036	WL1010	1543.333	WL1030
1535.429	WL1011	1543.73	WL1031
1535.822	WL1012	1544.128	WL1032
1536.216	WL1013	1544.526	WL1033
1536.609	WL1014	1544.924	WL1034
1537.003	WL1015	1545.322	WL1035
1537.397	WL1016	1545.72	WL1036
1537.792	WL1017	1546.119	WL1037
1538.186	WL1018	1546.518	WL1038

Part NO.	Wavelength	Part NO.	Wavelength
1546.917	WL1039	1554.94	WL1057
1547.316	WL1040	1555.343	WL1058
1547.715	WL1041	1555.747	WL1059
1548.115	WL1042	1556.151	WL1060
1548.515	WL1077	1556.555	WL1061
1548.915	WL1043	1557.363	WL1062
1549.315	WL1044	1557.768	WL1063
1549.715	WL1045	1558.173	WL1064
1550.116	WL1046	1558.577	WL1065
1550.918	WL1047	1558.983	WL1066
1551.319	WL1048	1559.389	WL1067
1551.721	WL1049	1559.794	WL1068
1552.122	WL1050	1560.606	WL1069
1552.524	WL1051	1561.013	WL1070
1552.926	WL1052	1561.419	WL1071
1553.329	WL1053	1561.826	WL1072
1553.731	WL1054	1562.233	WL1073
1554.134	WL1055	1562.64	WL1074
1554.537	WL1056	1563.455	WL1075

**Order notes to our customers:** The default parameters are as follows. For special needs, please contact sales.  
**1) Connector FC/APC, 900 um, 1 m by default for all devices except for high power devices.**  
**2) Slow axis working, fast axis blocked, connector key is aligned to slow axis by default for PM devices.**