

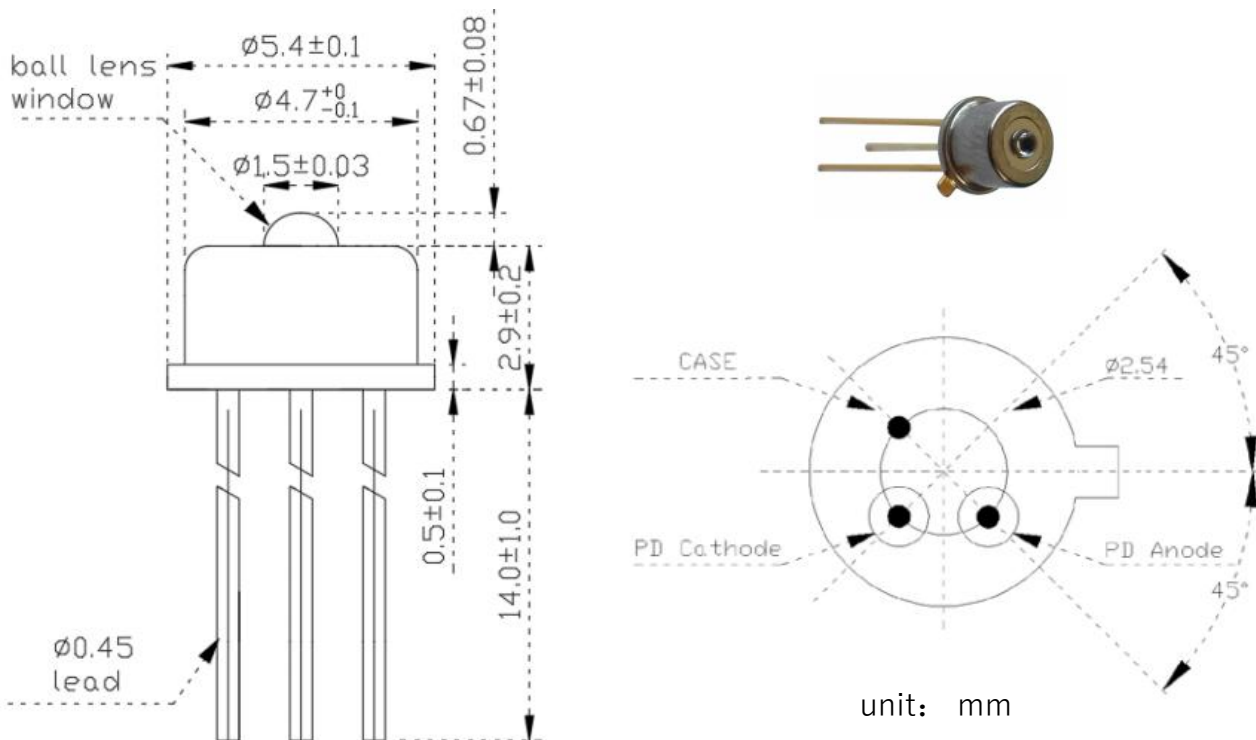
# 1201 Photodiode

PD3007

## 1500 nm to 3600 nm InGaAs PIN Photodiode

Part No.	Photosurface (μm)	Response Wavelength (nm)	Responsivity (mA/mW@nm)	Frequency (GHZ)	Dark Current (μA@V)	Capacitance (pF@V, 1 MHz)	Rise Time (ps@V)
PD3007-1	Φ80	1500 to 3600	0.10@1500, 0 V 0.85@2500, 0 V 1.00@3200, 0 V 0.10@3600, 0 V	1.5	5@0 75@-0.8	15@0 1.5@-0.8	250@- 0.8
PD3007-2	Φ80	1500 to 3600	0.10@1500, 0 V 0.85@2500, 0 V 1.00@3200, 0 V 0.10@3600, 0 V	0.15	10@0	20@0	3000@0

### MECHANICAL DRAWING



**Order notes to our customers:** The default parameters are as follows. For special needs, please contact sales.  
**1) Connector FC/APC, 900 μm, 1 m by default for all devices except for high power devices.**  
**2) Slow axis working, fast axis blocked, connector key is aligned to slow axis by default for PM devices.**