

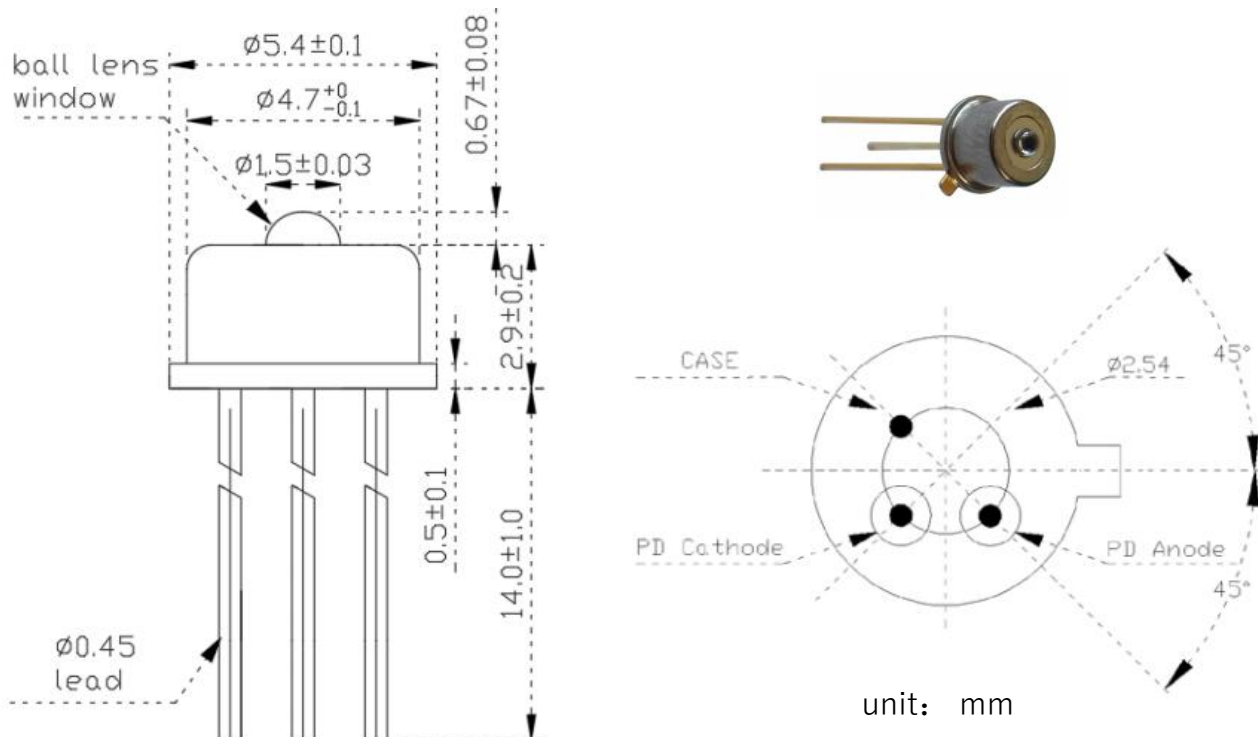
# 1201 Photodiode

PD3006

## 800 nm to 2600 nm InGaAs PIN Photodiode

Part No.	Photosurface (mm)	Response Wavelength (nm)	Responsivity (mA/mW@nm)	Dark Current (nA@V)	Capacitance (pF@V)	Rise Time (ns@V)
PD3006-1	Φ0.3	800 to 2600	0.21@850, -0.2 V 0.45@1310, -0.2 V 1.30@2300, -0.2 V 0.23@2600, -0.2 V	40@0 300@-0.2	90@0 70@-0.2	12@-0.2
PD3006-2	Φ0.5	800 to 2600	0.21@850, -0.2 V 0.45@1310, -0.2 V 1.30@2300, -0.2 V 0.23@2600, -0.2 V	60@0 400@-0.2	100@0 90@-0.2	13@-0.2
PD3006-3	Φ1	800 to 2600	0.21@850, -0.1 V 0.45@1310, -0.1 V 1.30@2300, -0.1 V 0.23@2600, -0.1 V	300@0 1000@-0.1	150@0 130@-0.1	25@-0.1

### MECHANICAL DRAWING



**Order notes to our customers:** The default parameters are as follows. For special needs, please contact sales.  
**1) Connector FC/APC, 900 um, 1 m by default for all devices except for high power devices.**  
**2) Slow axis working, fast axis blocked, connector key is aligned to slow axis by default for PM devices.**