

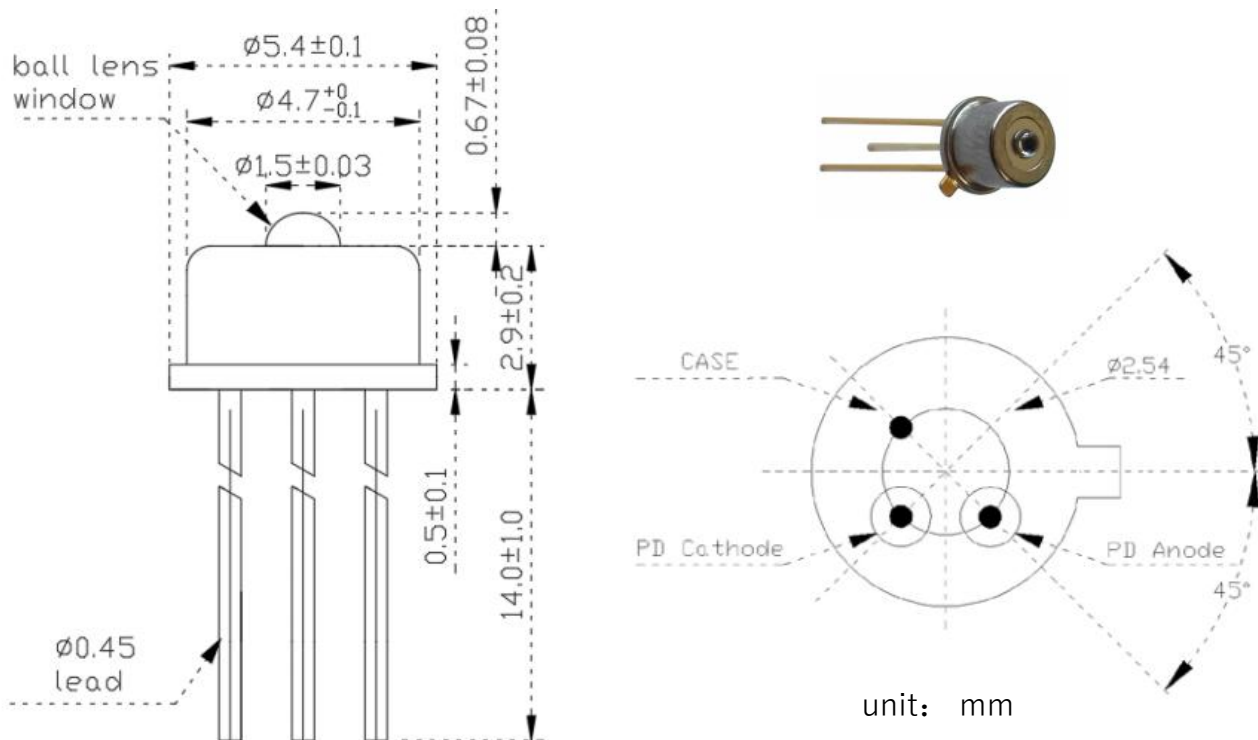
# 1201 Photodiode

PD3005

## 800 nm to 2400 nm InGaAs PIN Photodiode

Part No.	Photosurface (μm)	Response Wavelength (nm)	Responsivity (mA/mW@nm@0 V)	Frequency (GHZ)	Dark Current (μA@V)	Capacitance (pF@V, 1 MHz)	Rise Time (ps@V)
PD3005-1	Φ80	800 to 2400	0.15@850 0.78@1310 1.00@2100 0.15@2400	1.5	0.1@0 2@-3	18@0 2@-3	250@-3
PD3005-2	Φ80	800 to 2400	0.15@850 0.78@1310 1.00@2100 0.15@2400	1	0.1@0 2@-1.5	19@0 3@-1.5	350@-1.5
PD3005-3	Φ80	800 to 2400	0.15@850 0.78@1310 1.00@2100 0.15@2400	0.8	0.1@0 2@-1	20@0 4@-1	450@-1
PD3005-3	Φ80	800 to 2400	0.15@850 0.78@1310 1.00@2100 0.15@2400	0.15	0.2@0	21@0	3000@-0.1

### MECHANICAL DRAWING



**Order notes to our customers:** The default parameters are as follows. For special needs, please contact sales.

- 1) Connector FC/APC, 900 μm, 1 m by default for all devices except for high power devices.
- 2) Slow axis working, fast axis blocked, connector key is aligned to slow axis by default for PM devices.