

1201 Photodiode

PD-3



Linear InGaAs PIN Photodiode, 3 GHz

The PD-3 is an linear InGaAs PIN photodiode with a multimode fiber pigtail designed for use in local area network, subscriber loop and high bit-rate transmission system applications up to 2.5 Gb/s at both 130 nm and 1550 nm wavelength. The PIN chip has photosensitivity area diameter of 50 μ m with a planar structure and guard ring for high reliability. A multimode fiber is aligned to the hermetically sealed PIN diode. The optical alignment system has the high coupling stability.

FEATURES

- High Quantum Efficiency: 0.85 A/W
- Low Dark Current: 0.1 nA
- Data Rates Up to 2.5 GB/s
- Wide Spectral Response Range: 900 nm to 1600 nm

USE IN

- Optical Transmission System
- Optical Communication
- Test and Measurement

Responsivity	0.85 A/W typ.
Dark Current	1 nA typ.
Bandwidth	3 Ghz typ.
Capacitance	0.9 pF max.
Optical Return Loss	30 dB typ.
Storage Temperature	-40 °C to +90 °C
Operating Case Temperature	-40 °C to +85 °C
Forward Current	5 mA
Reverse Current	2 mA
Reverse Voltage	20 V

Order notes to our customers: The default parameters are as follows. For special needs, please contact sales.

1) Connector FC/APC, 900 μ m, 1 m by default for all devices except for high power devices.

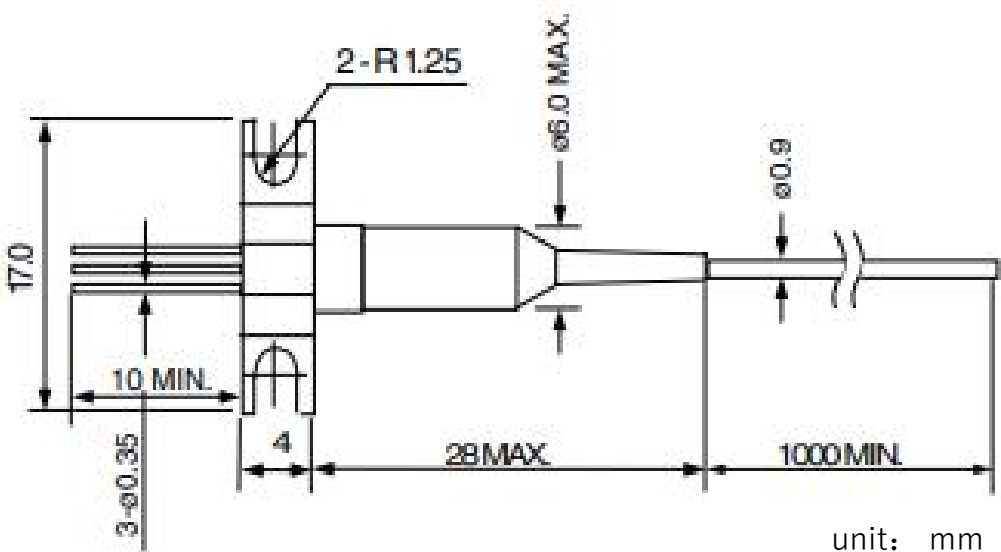
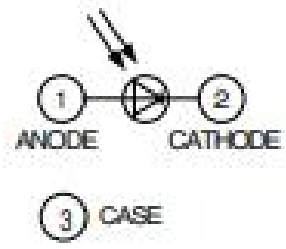
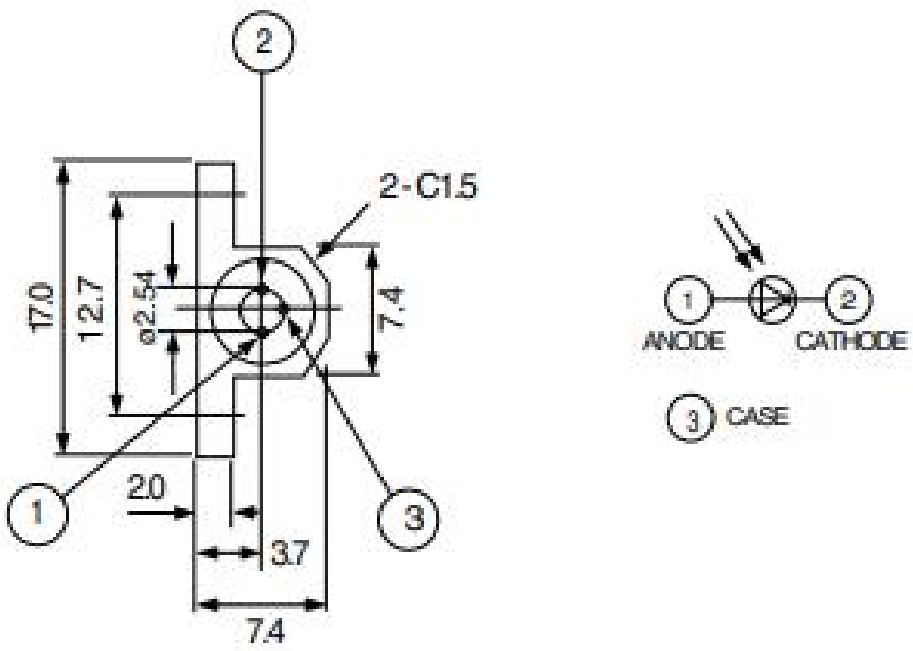
2) Slow axis working, fast axis blocked, connector key is aligned to slow axis by default for PM devices.

1201 Photodiode

PD-3



MECHANICAL DRAWING



Order notes to our customers: The default parameters are as follows. For special needs, please contact sales.
 1) Connector FC/APC, 900 μ m, 1 m by default for all devices except for high power devices.
 2) Slow axis working, fast axis blocked, connector key is aligned to slow axis by default for PM devices.