

0909 Circulator (HP)

HR3000-S



3 Ports 1064 nm High Power Circulator (TGG Based), SM, 1 W

The circulator is a 1 W SM 1064 nm high power circulator (TGG Based). This highly reliable circulator offers low insertion loss, high return loss and high isolation. It can be used for fiber amplifier, testing instrument, fiber sensor and medical equipment.

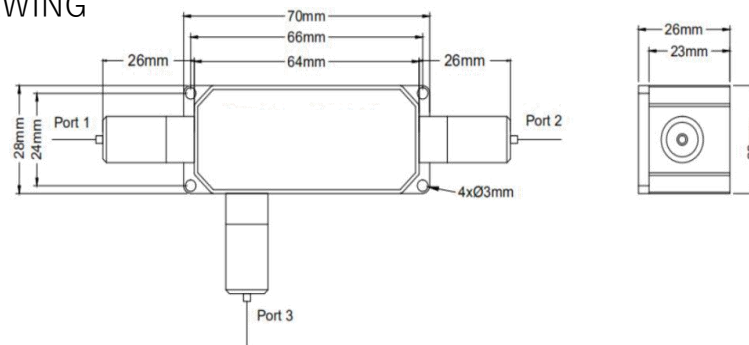
FEATURES

- High Return Loss
- Low Insertion Loss
- High Stability & Reliability

USE IN

- Fiber Laser
- Testing Instrument
- Medical Equipment

MECHANICAL DRAWING



Center Wavelength	1064 nm
Operating Wavelength Range	±5 nm
Peak Isolation	25 dB typ.
Isolation	22 dB min.
Insertion Loss	1.0 dB typ.; 1.3 dB max.
Polarization Dependent Loss (SM Fiber Type)	0.15 dB max.
Return Loss (In/Out)	45 dB min.
Cross Talk	45 dB min.
Power Handling (Including Port 1 & Port 2)	1 W, 2 W, 5 W, 10 W, 20 W max. or Specified
Peak Power for ns Pulse	10 kW max. or Specified
Tensile Load	5 N max.
Dimension	70 X 28 x 26 mm
Operating Temperature	+10°C to +50°C
Storage Temperature	0°C to +60°C

* With connectors, the handling power is 1 W only, IL is 0.3 dB higher, RL is 5 dB lower, and ER is 2 dB lower.

Order notes to our customers: The default parameters are as follows. For special needs, please contact sales.
1) Connector FC/APC, 900 um, 1 m by default for all devices except for high power devices.
2) Slow axis working, fast axis blocked, connector key is aligned to slow axis by default for PM devices.