

0909 Circulator (HP)

HR1002-P



3 Ports 780 nm High Power Optical Fiber Circulator, PM, 20 W

The circulator has very low insertion loss, high return loss and high stability & reliability. It can be used for fiber laser, testing instrument and medical equipment.

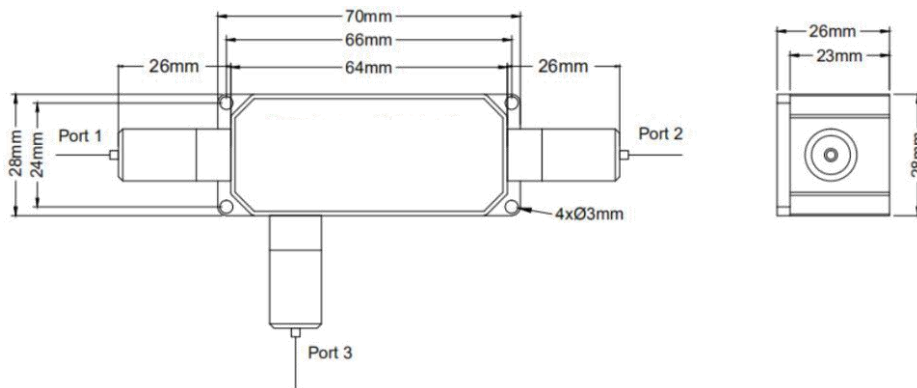
FEATURES

- High Return Loss
- Low Insertion Loss
- High Stability & Reliability

USE IN

- Fiber Laser
- Testing Instrument
- Medical Equipment

MECHANICAL DRAWING



| | |
|--|------------------------------|
| Center Wavelength | 780 nm |
| Operating Wavelength Range | ±5 nm |
| Isolation | 23 dB typ.@ Peak; 20 dB min. |
| Insertion Loss | 1.2 dB typ.; 1.5 dB max. |
| Extinction Ratio | 18 dB min. |
| Return Loss (In/Out) | 45 dB min. |
| Cross Talk | 45 dB min. |
| Power Handling (Including Port1 & Port2) | 20 W max. or Specified |
| Peak Power for ns Pulse | 10 kW max. or Specified |
| Tensile Load | 5 N max. |
| Dimension | 70x28x26 mm |
| Operating Temperature | +10°C to +50°C |
| Storage Temperature | 0°C to +60°C |

* With connectors, the handling power is 1 W only, IL is 0.3 dB higher, RL is 5 dB lower, and ER is 2 dB lower.

Order notes to our customers: The default parameters are as follows. For special needs, please contact sales.
1) Connector FC/APC, 900 um, 1 m by default for all devices except for high power devices.
2) Slow axis working, fast axis blocked, connector key is aligned to slow axis by default for PM devices.