

## 0906 Other High Power Device

HH1002-S



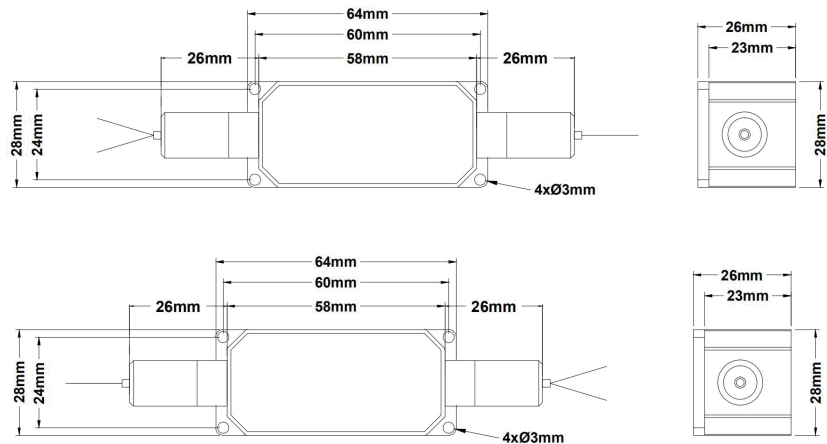
### 780 nm High Power Tap Isolator Hybrid, 1/99, 20 W, SM

The isolator has very low insertion loss, high return loss, high isolation and high extinction ratio. It can be used for fiber sensor, fiber laser and compact fiber optical system.

#### FEATURES

- High Return Loss
- Low Insertion Loss
- High Extinction Ratio
- High Isolation

#### MECHANICAL DRAWING



#### USE IN

- Fiber Sensor
- Fiber Laser
- Compact Fiber Optical System

#### Options for Working Axis

##### Option 1, 2x1

Input→Output: Fast axis blocked

Input→Tap: Both axis working

##### Option 2, 2x1

Input→Output: Both axis working

Input→Tap: Both axis working

##### Option 3, 2x1

Input→Output: Both axis working

Input→Tap: PM to SM, Polarization Insensitive

##### Option 4, 2x1

Input→Output: SM to SM, Polarization Insensitive

Input→Tap: SM to SM, Polarization Insensitive

##### Option 5, 1x2

Input→Output: Fast axis blocked

Input→Tap: Fast axis blocked

##### Option 6, 1x2

Input→Output: Fast axis blocked

Input→Tap: PM to SM, Polarization Sensitive

##### Option 7, 1x2

Input→Output: SM to SM, Polarization Sensitive

Input→Tap: SM to SM, Polarization Sensitive

Center Wavelength	780 nm
Operating Wavelength Range	±5 nm
Excess Loss	1.0 dB max.
Signal Tap Ratio	1±0.2% or Specified
Isolation	25 dB min.
Polarization Dependent Loss	0.15 dB max.
Return Loss	50 dB min.
Power Handling	20 W max. or Specified
Peak Power for ns Pulse	10 kW or Specified
Tensile Load	5 N max.
Operating Temperature	+10°C to +50°C
Storage Temperature	0°C to +60°C

\* With connectors, IL is 0.3 dB higher, RL is 5 dB lower, and ER is 2 dB lower.

**Order notes to our customers:** The default parameters are as follows. For special needs, please contact sales.

**1) Connector FC/APC, 900 um, 1 m by default for all devices except for high power devices.**

**2) Slow axis working, fast axis blocked, connector key is aligned to slow axis by default for PM devices.**