

1501 RF Connector

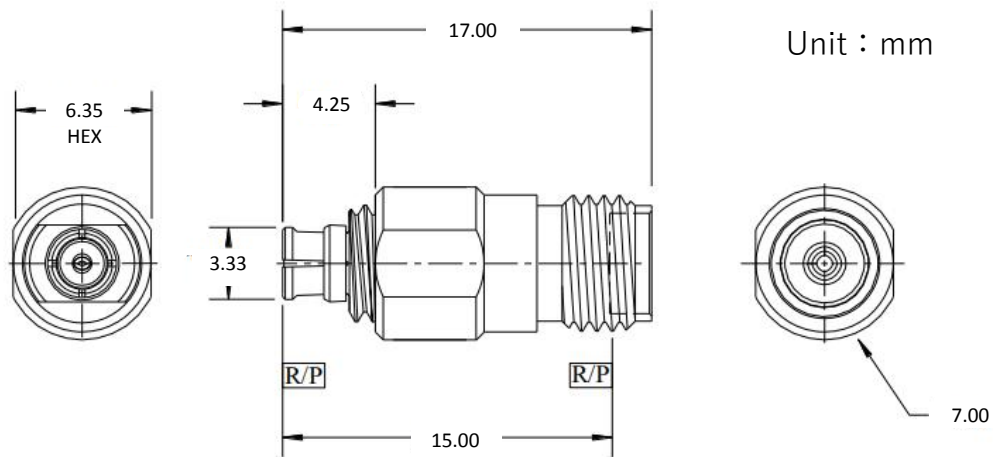
RFC2001



SMA/Female to SMP/Female Adapter 27 GHz

Frequency	0 to 27 GHz
VSWR	1.20 GHz to 27 GHz
Impedance	50 Ohms
SMA & SMP Interface per	MIL-STD-348
Body (SMA)	Passivated Stainless Steel per A582
Body (SMP)	BeCu per ASTM-B-196
Contact Plating	Au per MIL-G-45204
Dielectric	PTFE per ASTM D1710

MECHANICAL DRAWING



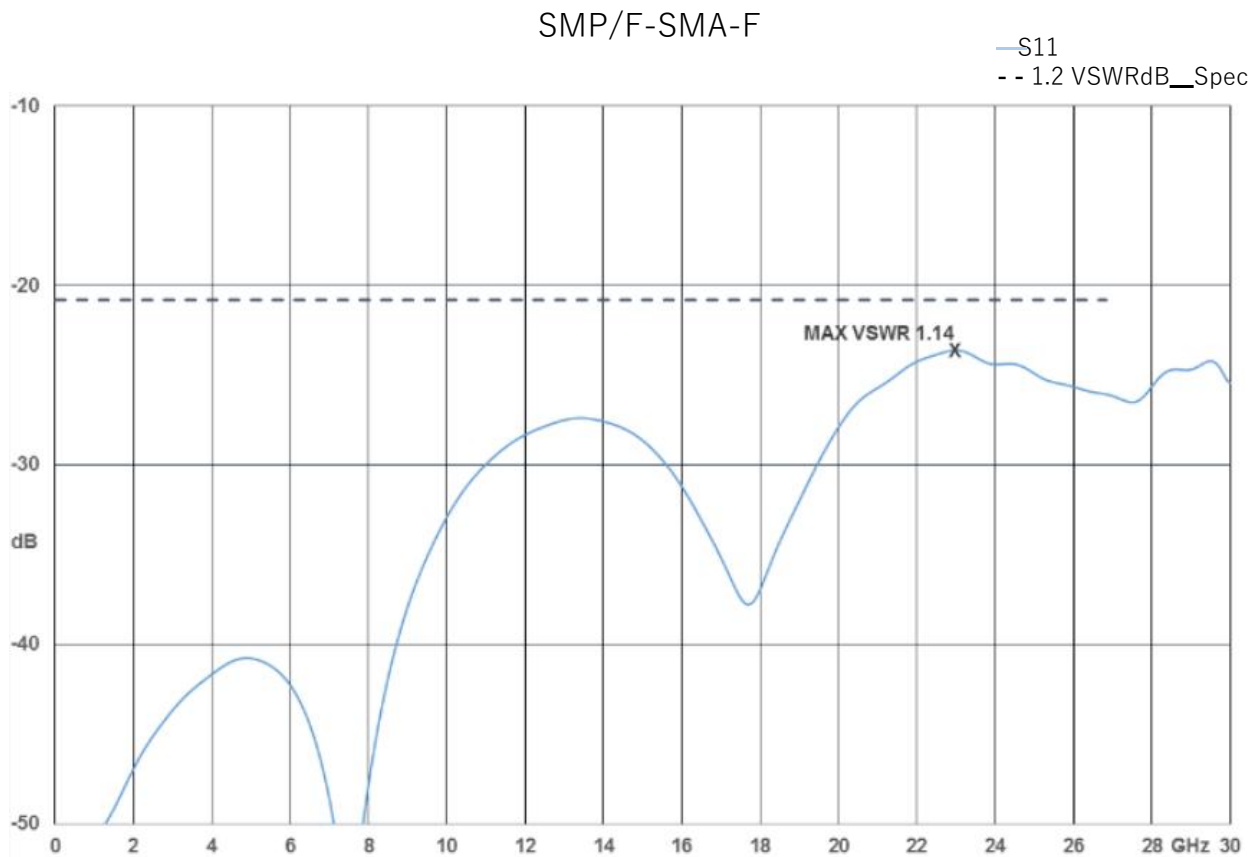
Dimensional Tolerances	
.X	± 0.50
.XX	± 0.25
.XXX	± 0.125

Order notes to our customers: The default parameters are as follows. For special needs, please contact sales.
1) Connector FC/APC, 900 um, 1 m by default for all devices except for high power devices.
2) Slow axis working, fast axis blocked, connector key is aligned to slow axis by default for PM devices.

1501 RF Connector

RFC2001

TYPICAL DATA



Order notes to our customers: The default parameters are as follows. For special needs, please contact sales.
1) Connector FC/APC, 900 um, 1 m by default for all devices except for high power devices.
2) Slow axis working, fast axis blocked, connector key is aligned to slow axis by default for PM devices.