

# 1501 RF Connector

RFC2005-2



## 2.4 mm to K (2.92 mm) Adaptor 40 GHz

Frequency	0 to 40 GHz
VSWR	Female to Female : 1.20 max.; Others: 1.15 max.
Durability	2000 Cycles min.
Impedance	50 Ohms
Operating Temperature	-55°C to +165°C
Body	SUS303, Passivated
Center Conductor	Beryllium Copper Gold Plated
Dielectric	PEI
Nut	SUS303, Passivated

### ORDERING OPTIONS

2.4 mm Connector	K Connector	Part No.
Male	Male	RFC2005-2-1
Female	Female	RFC2005-2-2
Male	Female	RFC2005-2-3
Female	Male	RFC2005-2-4

**Order notes to our customers:** The default parameters are as follows. For special needs, please contact sales.

**1) Connector FC/APC, 900 um, 1 m by default for all devices except for high power devices.**

**2) Slow axis working, fast axis blocked, connector key is aligned to slow axis by default for PM devices.**

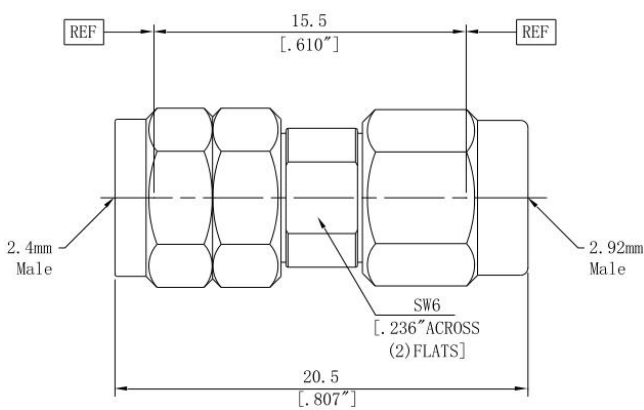
# 1501 RF Connector

RFC2005-2

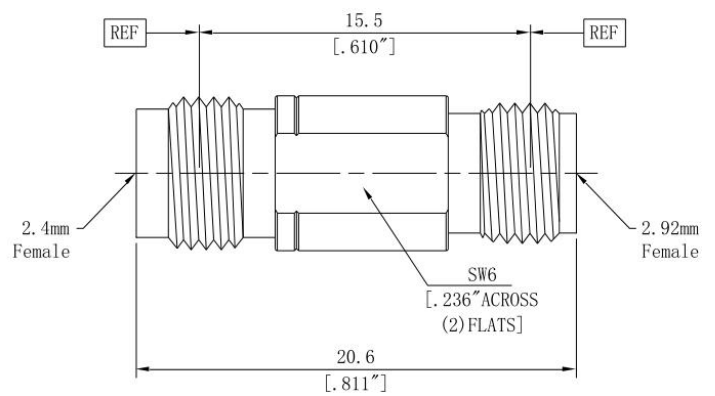
MECHANICAL DRAWING

Unit : mm [inch]

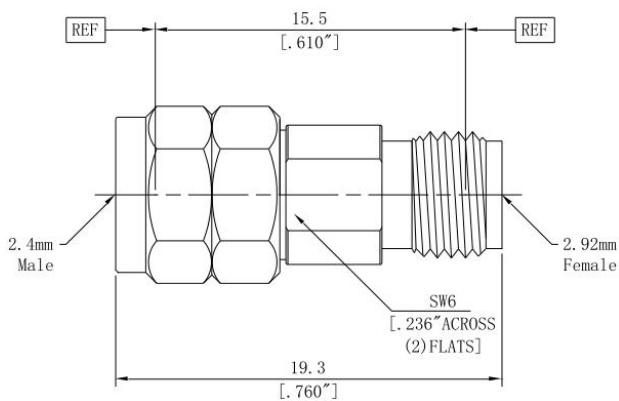
RFC2005-2-1



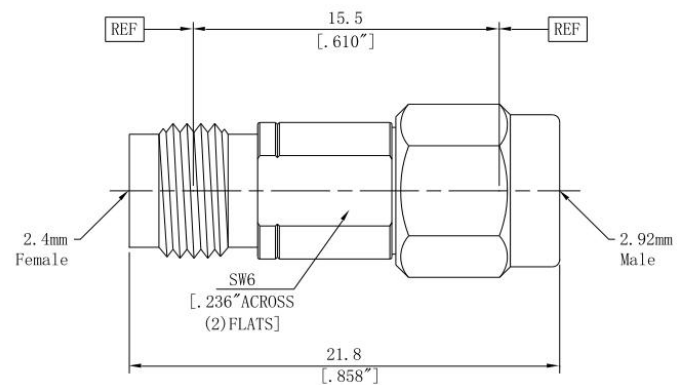
RFC2005-2-2



RFC2005-2-3



RFC2005-2-4



**Order notes to our customers:** The default parameters are as follows. For special needs, please contact sales.  
**1) Connector FC/APC, 900 um, 1 m by default for all devices except for high power devices.**  
**2) Slow axis working, fast axis blocked, connector key is aligned to slow axis by default for PM devices.**