

# 1501 RF Connector

RFC2004-4



## GPPO (SMPM) to SMA Adapter 26.5 GHz

Frequency	0 to 26.5 GHz
VSWR	1.20 max.
Durability	2000 Cycles min.
Impedance	50 Ohms
Operating Temperature	-55°C to +165°C
Body	Female: Beryllium Copper Gold Plated Others: SUS303, Passivated
Center Conductor	Beryllium Copper Gold Plated
Dielectric	PEEK & PTFE
Nut	SUS303, Passivated

### ORDERING OPTIONS

GPPO Connector	SMA Connector	Part No.
Male	Male	RFC2004-4-1
Female	Female	RFC2004-4-2
Male	Female	RFC2004-4-3
Female	Male	RFC2004-4-4

**Order notes to our customers:** The default parameters are as follows. For special needs, please contact sales.

**1) Connector FC/APC, 900 um, 1 m by default for all devices except for high power devices.**

**2) Slow axis working, fast axis blocked, connector key is aligned to slow axis by default for PM devices.**

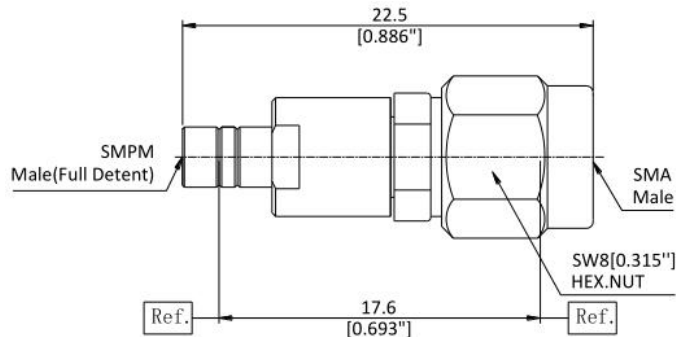
# 1501 RF Connector

RFC2004-4

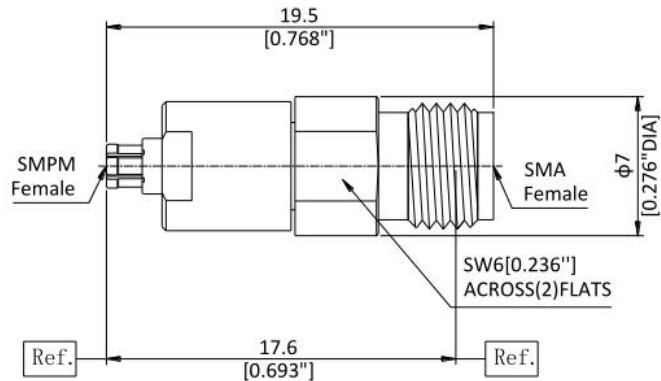
## MECHANICAL DRAWING

Unit : mm [inch]

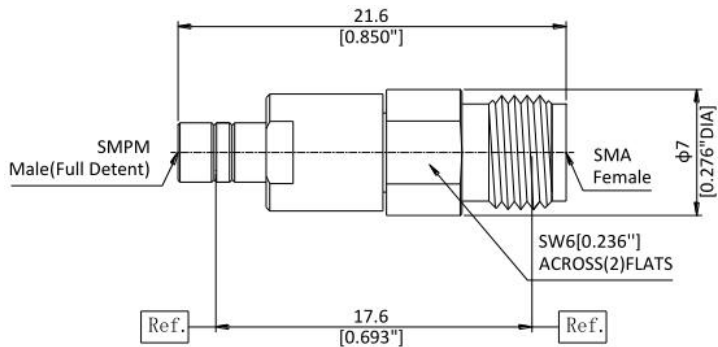
RFC2004-4-1



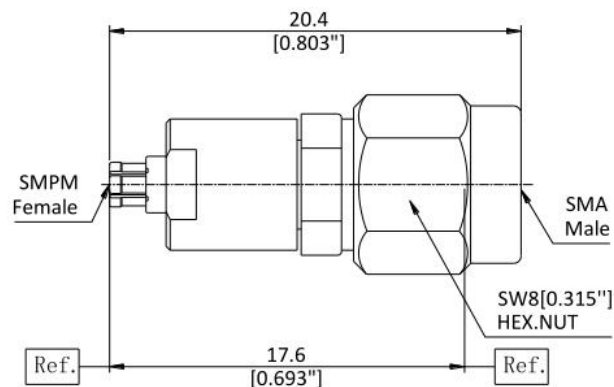
RFC2004-4-2



RFC2004-4-3



RFC2004-4-4



**Order notes to our customers:** The default parameters are as follows. For special needs, please contact sales.

- 1) Connector FC/APC, 900 um, 1 m by default for all devices except for high power devices.
- 2) Slow axis working, fast axis blocked, connector key is aligned to slow axis by default for PM devices.