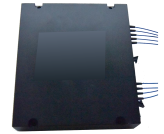


# 0204 1xN Coupler Array

**C9007-S**



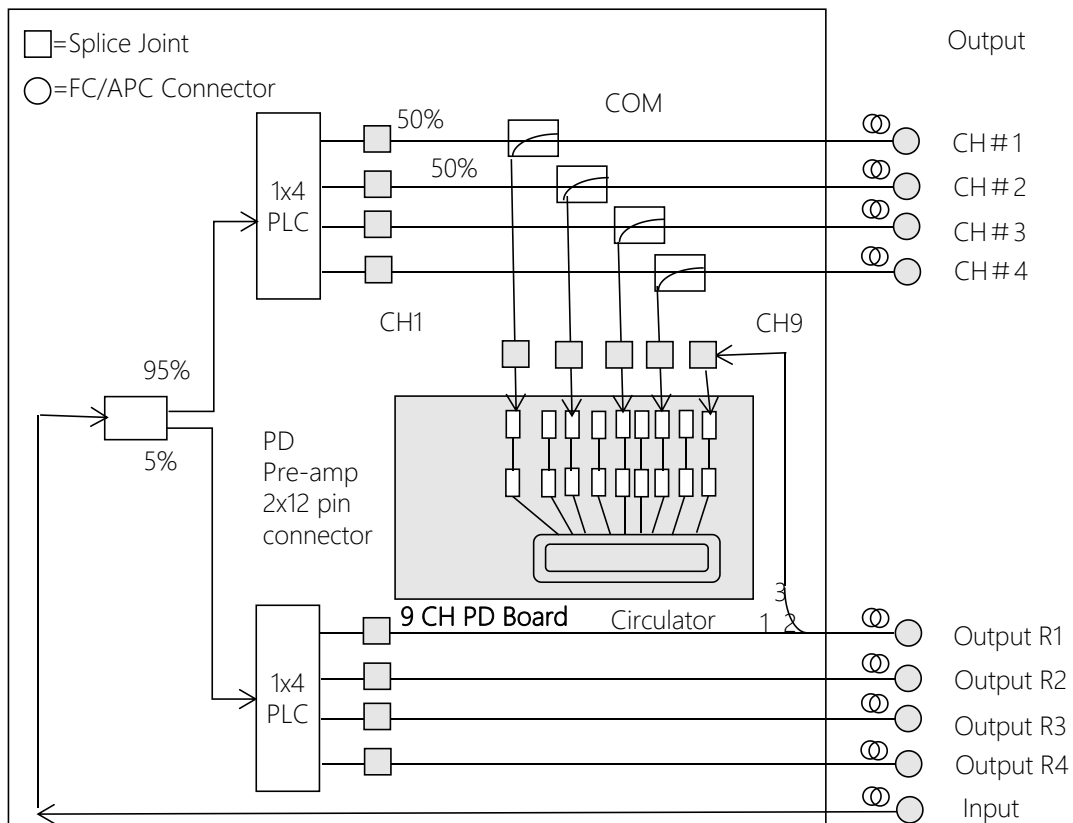
## 1x8 1550 nm Splitter/Mux Module with Electrical Output Connector

The module is 1x8 1550 nm splitter/mux module with electrical output connector. This highly reliable coupler module includes:

- Housing (x1)
- 9 CH PD Board, V3, Only Five Channels Are Populated (x1)
- 95/5 Coupler (x1)
- 50/50 Coupler (x4)
- 1x4 PLC (x2)
- Circulator (x1)
- Input Fiber (x1)
- Output Fiber (x8)
- Electrical Output Conector on PD Board (x1)

Input	Output	Insertion Loss
Input	CH#1...CH#4	9.4 dB max.
Input	Output R1	19.85 dB max.
Input	Output R1... Output R4	19.1 dB max.
CH#1 (...CH#8)	CH#1 (...CH#8)	3.2 dB max.
Output R1	CH9	0.75 dB max.

### FUNCTIONAL DIAGRAM



**Order notes to our customers:** The default parameters are as follows. For special needs, please contact sales.  
**1) Connector FC/APC, 900 um, 1 m by default for all devices except for high power devices.**  
**2) Slow axis working, fast axis blocked, connector key is aligned to slow axis by default for PM devices.**