

0109 Polarization Beam Combiner

PBS1100-P

633 nm Polarization Beam Splitter, 300 mW

The PBS has very low insertion loss, high return loss, high extinction ratio and high stability & reliability. It can be used for fiber sensor, fiber optical current transducer and optical fiber gyro.

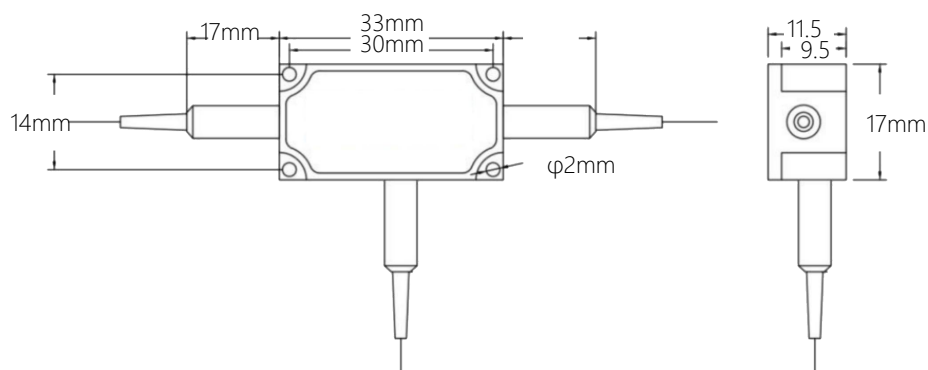
FEATURES

- High Return Loss
- Low Insertion Loss
- High Extinction Ratio
- High Stability & Reliability

USE IN

- Fiber Optical Current Transducer
- Fiber Sensor
- Optical Fiber Gyro

MECHANICAL DRAWING



Center Wavelength	633 nm
Operating Wavelength Range	±10 nm
Insertion Loss	1.3 dB typ.; 1.5 dB max.
Extinction Ratio	18 dB min.
Directivity	50 dB min.
Return Loss	50 dB min.
Power Handling	300 mW max.
Tensile Load	5 N max.
Fiber Type	Port 1 & 2 PM Fiber
	Port 3 SM Fiber or PM Fiber
Operating Temperature	+5°C to +70°C
Storage Temperature	-40°C to +85°C

* With connectors, IL is 0.3 dB higher, RL is 5 dB lower, and ER is 2 dB lower.

Order notes to our customers: The default parameters are as follows. For special needs, please contact sales.
1) Connector FC/APC, 900 um, 1 m by default for all devices except for high power devices.
2) Slow axis working, fast axis blocked, connector key is aligned to slow axis by default for PM devices.