



DFB-B



DEVICE

Multi-Channels DFB Laser Source, Benchtop

OVERVIEW

The Optilab DFB-B is a Distributed Feedback (DFB) laser source in a benchtop unit designed for general laboratory applications. The DFB-B is a reliable and high-performance DFB laser source for providing up to 8 DFB wavelengths. With Optilab's comprehensive inventory of high-quality lasers, the DFB-B source can be ordered from a large variety of wavelengths and it is constructed with Telcordia-qualified laser to ensure 15+ years of operating life. The DFB laser's operating temperature and drive current are precisely monitored by a micro-controller to ensure constant output power and emission wavelength stability. Using its intuitive front panel or an optional USB interface, the user can control the DFB output power level by adjusting the laser drive current and emission wavelength via TEC. Contact Optilab for more information.

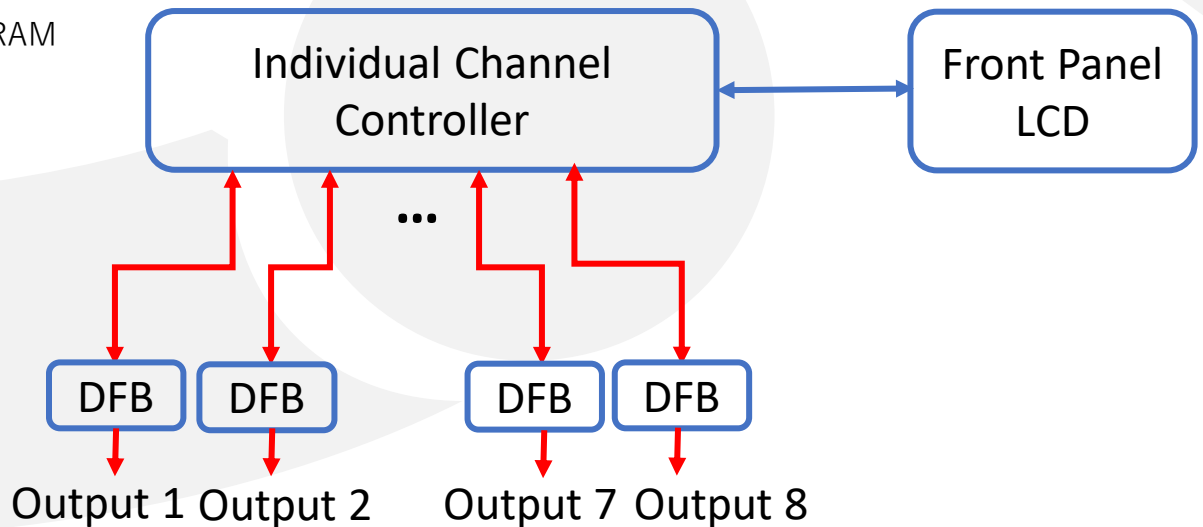
FEATURES

- Up to 8 wavelength DFB source
- DFB with up to 50 mW (C-band) or up to 150 mW (O-band) output
- Stability Wavelength to +/- 5 pm
- USB Control Interface (Optional)
- C band, O band, L band wavelengths available
- Polarization Maintaining (PM) output available
- Wavelength tuning range: +/- 1.5 nm

USE IN

- DWDM Networks
- Seed Laser
- Fiber Sensors
- Laboratory testing and measurement
- Fiber Optics Components Testing

FUNCTIONAL DIAGRAM





DFB-B

SPECIFICATIONS

Number of DFB	Up to 8 Lasers in One Unit
Available Wavelength Range	O-band: 1290-1330 nm, C-band: 1538-1564 nm,
Wavelength Tuning Range	± 1.5 nm
Output Power	Up to 50 mW on C-band Up to 150 mW on O-band
Output Power Stability	± 0.2 dB over 8 hours
Wavelength Stability	± 5 pm over 8 hours
Laser Linewidth	< 3 MHz
Side Mode Suppression Ratio	45 dB typ.
Optical Isolator	30 dB min.
Relative Intensity Noise	-145 dB/Hz max.
Polarization Extinction Ratio	20 dB typ. (with PM fiber Option)

GENERAL

ADJUSTABLE FEATURES AND OUTPUT

Channel Output Control	On/Off
DFB Power Output	10% - 100% adjustable range
DFB Wavelength Tuning	± 1.5 nm (from wavelength center)

MECHANICAL

Operating Temperature	10°C to +50 °C
Storage Temperature	-10°C to +70°C
Operating Humidity	0% - 85% Relative Humidity
Power Supply	80-240 V, 43-63 Hz AC or 40-58 v DC (optional)
Power Consumption	50 W max.
Housing Dimensions	Benchtop, 14" x 12.5" x 3.5"
Control/Monitoring	LD Current, Output Power, Laser Wavelength
Remote Control	RS-232 via USB Connector
Optical Connectors	FC/APC; other optional available
Optical Fiber Type	SMF-28 for SM, PANDA for PM

OPTIONS

DFB-w-B-xxxx-yy-zz

- w** Number of Lasers : 1, 4, 8
- xxxx** Wavelength
- yy** Fiber Type: SM; PM
- zz** Optical Power Level (mW)

