

LRS-16



DEVICE

Lightwave Receiver System with 16 Module Capacity

OVERVIEW

The Optilab LRS-16 is an intuitive, fully integrated system designed for multiple channel RF over Fiber (RFoF) applications. This high density system provides an efficient platform for space utilization and centralized control/monitoring. With a 16 channel capacity, a wide variety of Optilab modules can be integrated into this platform including PR (Photo Receiver), PD (Photo Detector), EDFA(Erbium-Doped Fiber Amplifier), VOA (Variable Optical Attenuator), and passive WDM devices. This 3RU model features dual power supplies and an LCD display for module status and operation conditions. With LRS management software, the system and module parameters can be monitored and controlled remotely via Ethernet or RS-485. Contact Optilab for more information.

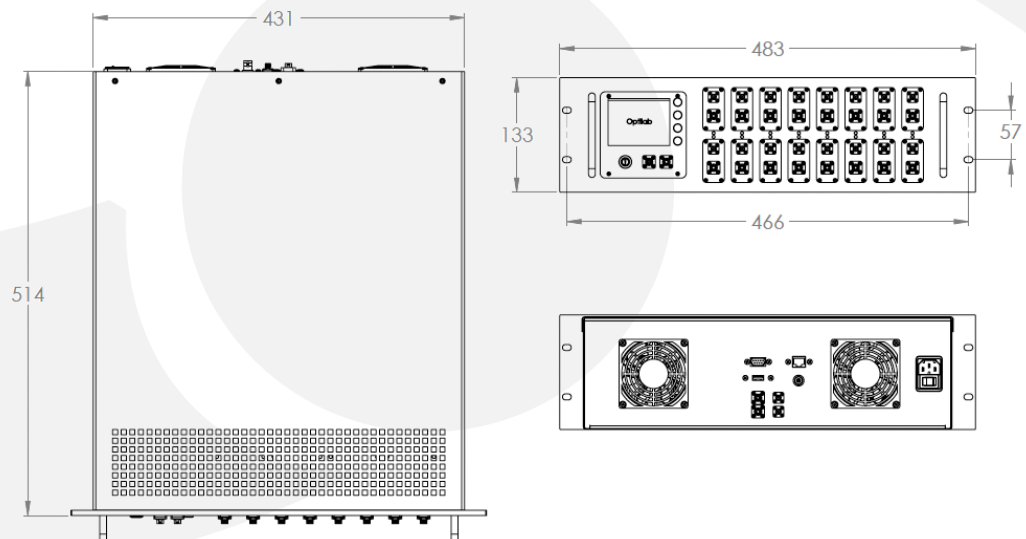
FEATURES

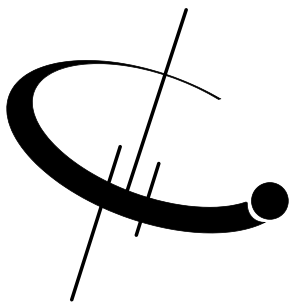
- High-capacity 3RU housing for 16 modules:
 - PR (Photo Receiver)
 - PD (Photo detector)
 - EDFA (Erbium-Doped Fiber Amplifier)
 - Passive (Mux, splitter, VOA)
- Complete customization of RFoF system
- LRS Management software for control/monitoring of all modules
- Remote control. RS-485 or ethernet

USE IN

- Multiple channel RFoF system
- Multiple satellite antenna distribution
- Multiple wavelength RFoF link over single fiber

MECHANICAL DRAWING





LRS-16

SPECIFICATIONS

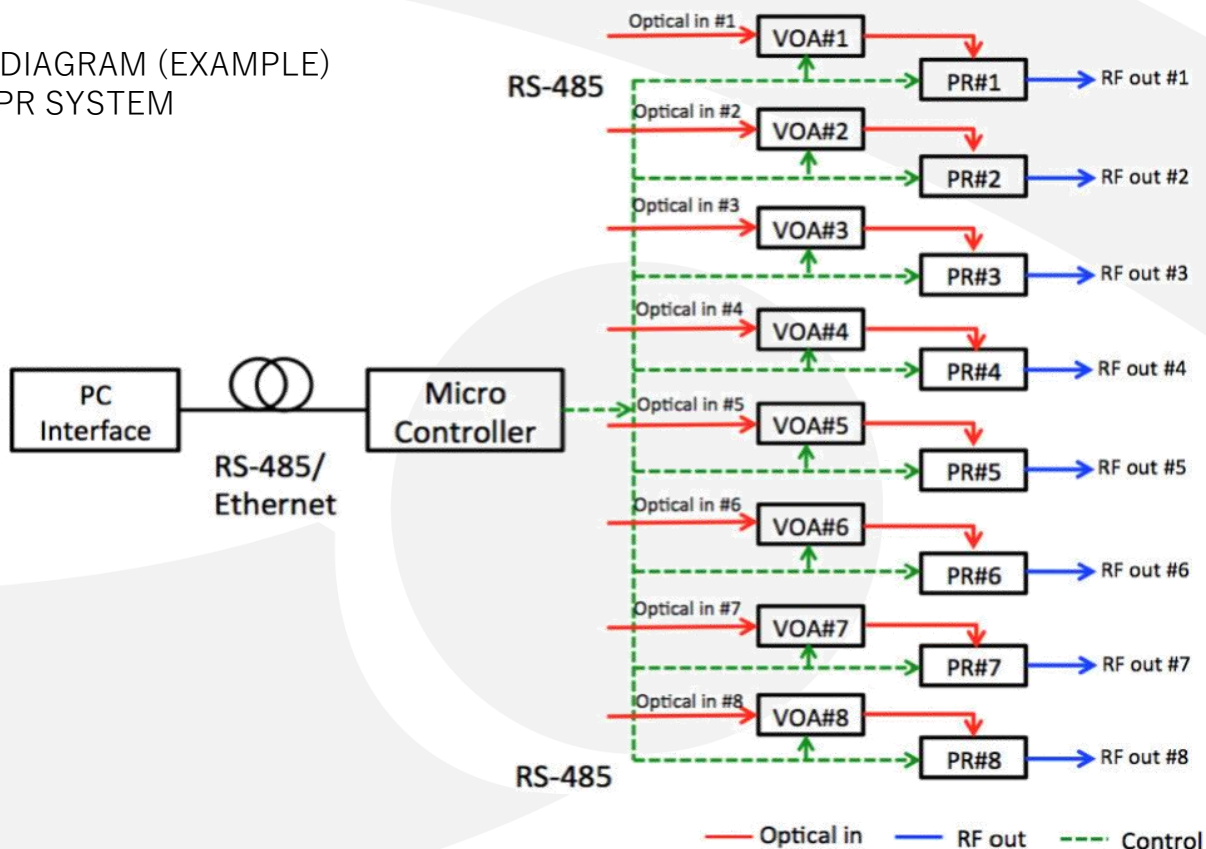
Operating Temperature	20°C to +55°C
Storage Temperature	-40°C to +85°C
Humidity	10% to 90% (non-condensing)
Dimensions	11.52" (L) x 19" (W) x 5.25" (H) (3 RU)
Power Supply	Dual redundant
Power Requirement	110/240 VAC, 50-60 Hz, (2A max. optional), DC power supplies available

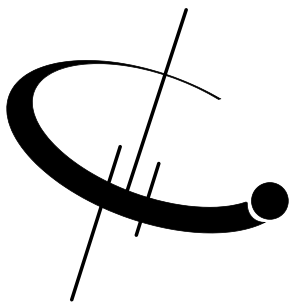
GENERAL

Local	LED for status display
Remote	Optilab LRS management software
RF Connector	K type, V type, or SMA depending upon RF requirements
Optical Connector	FC/APC, additional options available
Interface Connector	FC/APC, additional options available
Remote Control	RS-485 / Ethernet

MECHANICAL

FUNCTIONAL DIAGRAM (EXAMPLE) 8 x VOA + 8 x PR SYSTEM





LRS-16

OPTILAB'S MODULES AVAILABLE FOR INTEGRATION WITH LRS-16

PR SERIES

PR-12-M	12 GHz Photoreceiver Module
PR-20-M	20 GHz Photoreceiver Module
PR-23-M	23 GHz Photoreceiver Module
BPR-20-M	20 GHz Balanced Photoreceiver Module
BPR-23-M	23 GHz Balanced Photoreceiver Module

PD SERIES

PD-20-M	12 GHz Modulator Driver/RF Amplifier
PD-30-M	20 GHz Modulator Driver/RF Amplifier
PD-40-M	40 GHz Modulator Driver/RF Amplifier
PD-50-M	50 GHz Modulator Driver/RF Amplifier

EDFA SERIES

EDFA-PA-M	25 dB Gain Pre-Amp EDFA Module, C-band
EDFA-18-LC-M	18 dBm EDFA Module with Low Current Consumption

PASSIVE, VOA

DeMUX-4	4 Channel DWDM Multiplexer, 200 GHz spacing
DeMUX-16	16 Channel DWDM Multiplexer, 200 GHz spacing
DeMUX-40	40 Channel DWDM Multiplexer, 200 GHz spacing
SPLT-4	4 Channel Splitter
SPLT-8	8 Channel Splitter
SPLT-16	16 Channel Splitter
VOA	Variable Optical Attenuator

