

TEST DATA SHEET

Description: PM Collimator

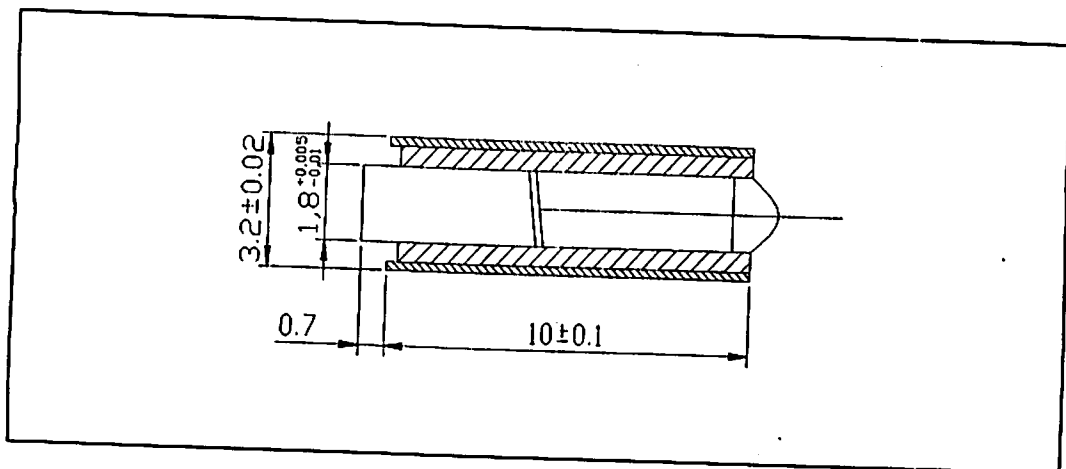
Part Number: PMC-1-1-06-1-1-2-L-O-0.5-C

Qty: 2pcs

Parameter		Center Wavelength	WD	IL	RL	ER			
Unit		nm	mm	dB	dB	dB			
Specification		1064+/-30	5	≤0.55	≥55	≥21			Test Result
Item	S/N								
1	055639	1064+/-30	5	0.27	55	22			Pass
2	055640	1064+/-30	5	0.53	60	21			Pass
3									
4									
5									
6									
7									
8									
9									
10									
11									
12									
13									
14									
15									
16									
17									
18									
19									
20									
21									
22									
23									
24									
25									

TEST DATA

Package Dimensions:



Remark: 900um loose tube Panda Fiber, Connector Type is FC/APC, Fiber length is 0.5m, Lens type is C lens

Tested By: Jessica

Date:2008-11-11

Reviewed By: F K

Date:2008-11-11