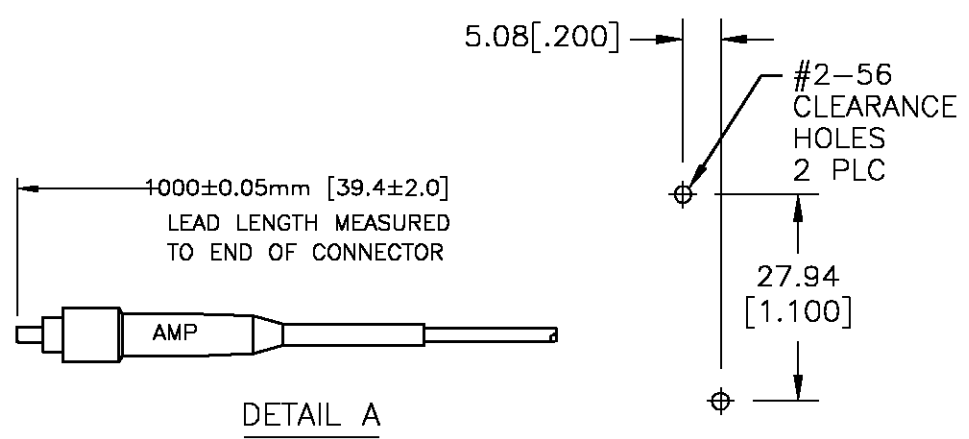
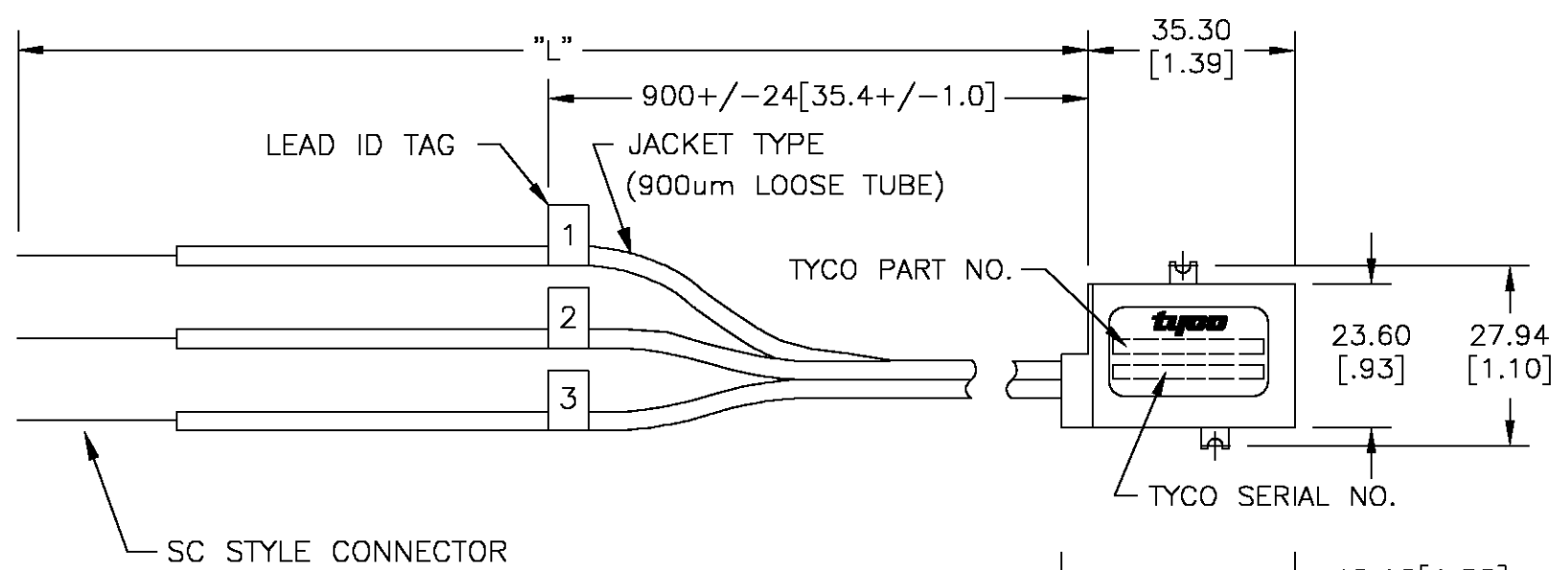


THIS DRAWING IS UNPUBLISHED. RELEASED FOR PUBLICATION
 © COPYRIGHT BY TYCO ELECTRONICS CORPORATION. ALL RIGHTS RESERVED.

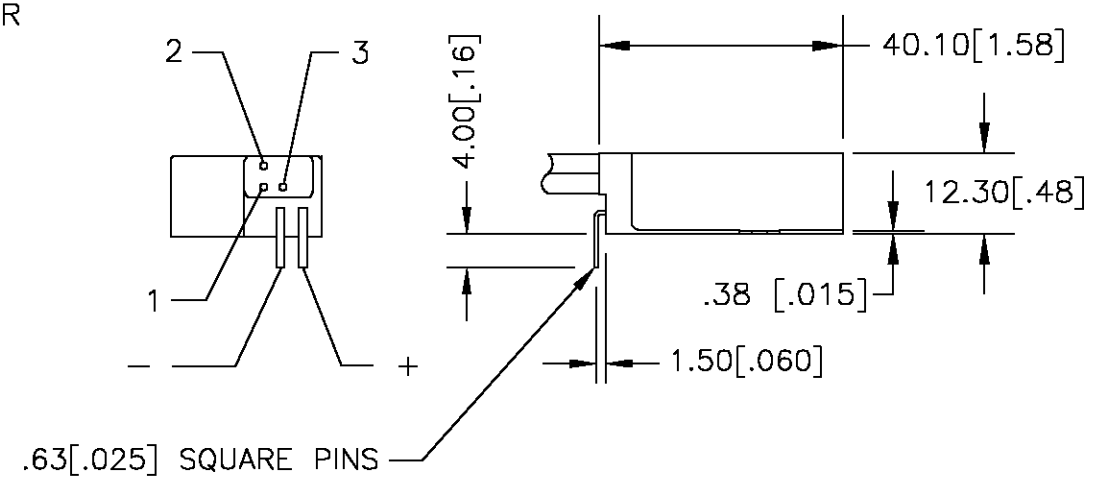
LOC	DIST	REVISIONS					
EA	51	P	LTR	DESCRIPTION	DATE	DWN	APVD
			F	REVISED PER EC 0A00-0475-04	07SEP04	LGE	PD



PCB MOUNTING HOLES
TOP VIEW



PART NO.	FIBER TYPE	CONNECTOR TYPE	"L", mm
99420-1	50/125/250	NONE	1000
99420-2	62.5/125/250	NONE	1000
8-99420-1	50/125/250	SC STYLE	1000
8-99420-2	62.5/125/250	SC STYLE	1000



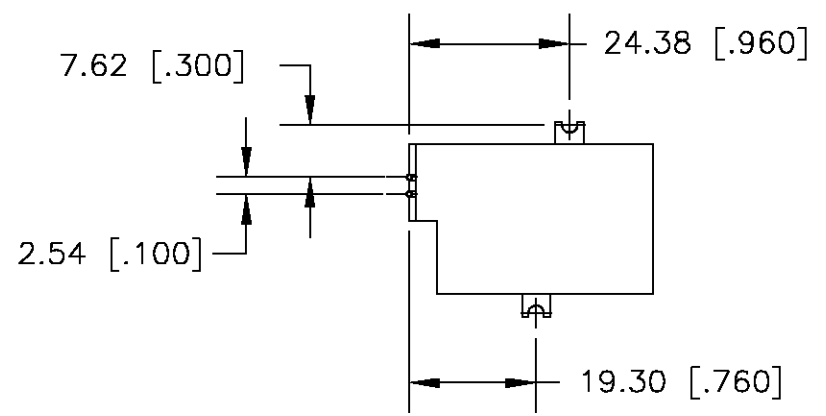
PERFORMANCE SPECIFICATIONS

TESTED PER FOTP-34 METHOD A2

INSERTION LOSS DATA INCLUDES TWO CONNECTED PAIRS

INSERTION LOSS	POWER OFF, FIBER 2 TO 1	UNCONNECTORIZED CONNECTORIZED	
		0.8dB MAX	1.8 dB MAX
	POWER ON, FIBER 2 TO 3	0.8dB MAX	1.8 dB MAX

OPTICAL CROSSTALK	</=-45dB PER FOTP-42
OPERATING WAVELENGTH	750 TO 1450nm
TESTED WAVELENGTH	1300nm
OPERATING WAVELENGTH	4.0 TO 5.5 VOLTS, 80ma MAX AT 5.0 VOLTS
SWITCHING SPEED	10 MILLISECONDS MAX



THIS DRAWING IS A CONTROLLED DOCUMENT.		DWN EMIL T.B. 041696	Tyco Electronics Corporation Harrisburg, PA 17105-3608	
DIMENSIONS: MM [inches]		CHK A. McCLISH 12/15/96	Tyco Electronics	
TOLERANCES UNLESS OTHERWISE SPECIFIED:		APVD A. McCLISH 12/15/96	NAME SWII 1X2 GOLD (STRAIGHT)	
0 PLC ± - 1 PLC ± 1.27 2 PLC ± 0.13 3 PLC ± - 4 PLC ± - ANGLES ± 2'		PRODUCT SPEC -	DRAWING NO A3 00779 C-99420	
MATERIAL -		APPLICATION SPEC -	RESTRICTED TO -	
FINISH -		WEIGHT -	SCALE 1:1	SHEET 1 OF 1 REV F
CUSTOMER DRAWING				