

2X1 Optical Switch C-band : YS-1101-155



Features

- Magneto-Optical (Non-mechanical)
- Latching Type
- Compact size
- Fast response
- High reliability

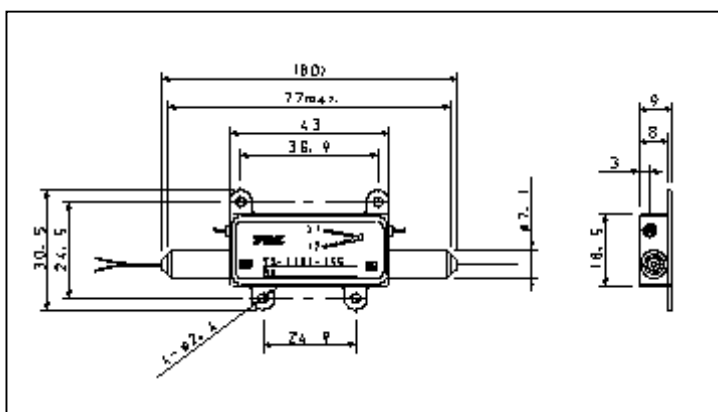
Specifications

Item	Control Signal	Port	Min	Max	Condition
Insertion Loss	T1: +, T2-	I1 - O	-	1.0 dB	Wavelength 1530~1565nm Temperature 0~65°C
	T1: -, T2+	I2 - O		1.0 dB	
Polarization Dependent Loss	T1: +, T2-	I1 - O	-	0.1dB	
	T1: -, T2+	I2 - O		0.1 dB	
Cross Talk	T1: +, T2-	I2 - O	40dB	-	
	T1: -, T2+	I1 - O	40dB	-	
Return Loss	-	I1, I2, O	50dB	-	
Polarization Mode Dispersion	T1: +, T2-	I1 - O	-	0.05ps	
	T1: -, T2+	I2 - O	-	0.05ps	
Response Time	-	-	-	1msec	
Fiber type/Length	Corning SMF28 CPC6/1.5m Min.				
Connector type	None				

Storage temp. range [Ts]	-40~ +85degC
--------------------------	--------------

NOTE: Resistance: 8.6[Ω] typ. Power Consumption : 3.3[μW] max. (Input pulse I [pps])
 Recommendation drive condition: Power Current: I=200[mA] Pulse width: T=2[msec]

Shapes and dimensions



Diagram

